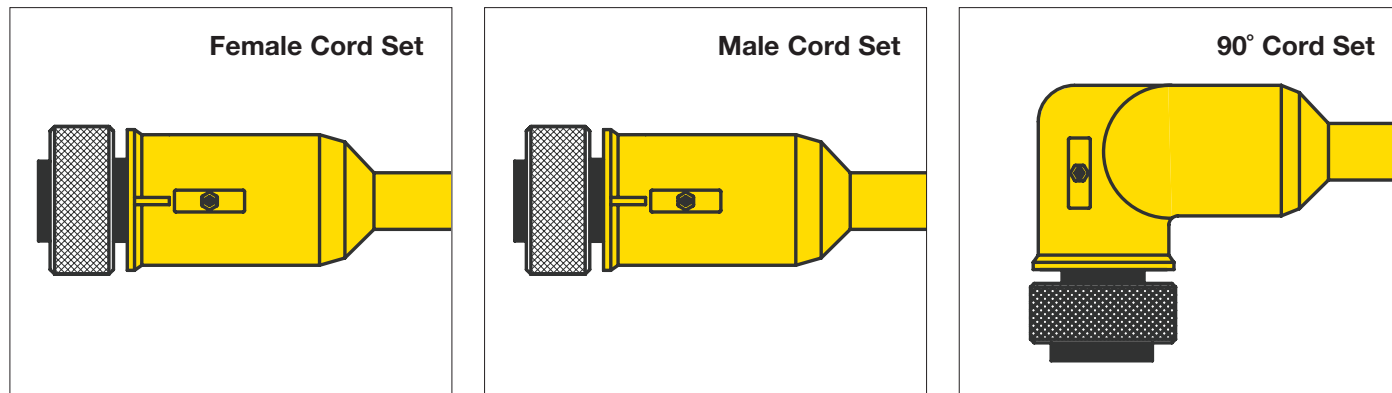


16 AWG Quick-Connect™ Cord Sets (6-8 Pole)

- UL Recognized
- cUL
- RoHS Compliant
- 600 V
- IP69K Rated

Quick-Connects™ make replacement of electrical and electronic control devices quick and simple. Plug sets are made with Trex-Onics® SOO Ultra-Gard® Portable Cord. A superior first-line of defense against tearing, abrasion, impact, oil, ozone and most chemicals; also flame and heat resistant and offers extreme all-weather flexibility too. The molded and keyed, vulcanized thermoset cordset provides rapid and secure connect and disconnect and ensures a water, oil and dust tight seal.



FEATURES & BENEFITS

- 1. PLUG SETS MADE WITH SUPER-TREX® TYPE S00 ULTRA-GARD® PORTABLE CORD, RATED 90°C** – Superior first-line defense against tearing, abrasion, impact, oil, ozone and most chemicals. Flame and heat resistant. Extreme all-weather flexibility.
- 2. EXTRA LONG PLUG BODY IS SPECIALLY COMPOUNDED, THERMOSET ELASTOMER** – Provides long flex life, resists heat and oil deterioration.
- 3. SOLID BRASS CONTACT PINS ARE NICKEL COATED AND GOLD PLATED, MACHINE CRIMPED TO CONDUCTORS** – Provides long life, resists corrosion, easy positive engagement. Excellent for high/low voltage and low level signal applications.
- 4. EXTRA LONG GROUNDING PIN** – Ensures first-in, last-out contact for safety.
- 5. STAINLESS STEEL FRICTION RING BETWEEN COUPLER AND PLUG BODY** – Increases pull-out strength, ensures uniform tightness.
- 6. UNIQUE STAINLESS STEEL SLEEVE OVER THE GOLD PLATED FEMALE PINS** – Prevents pin deformation resulting in loss of signal and electrical continuity. Superior performance in high vibration and continuous motion environments. Probe proof.
- 7. MOLDED AND KEYED, VULCANIZED THERMOSET ASSEMBLY** – Provides rapid and secure connect and disconnect. Ensures a water, oil, and dust tight seal.
- 8. HARD COATED MIL SPEC. ANODIZED ALUMINUM KNURLED COUPLING RING** – Resists corrosion, provides quick and secure assembly.
- 9. SHELL SIZE** – A (7/8"), B (1"), C (1-1/8") and D (1.5").

ORDERING INFORMATION (MINIMUM PURCHASE MAY BE REQUIRED IF PRODUCT NOT STOCKED)

FEMALE PLUGS				
PART NO.			FEET	METERS
6 POLE	7 POLE	8 POLE		
CM16C09F006	CM17C11F006	CM18C12F006	6	1.83
CM16C09F012	CM17C11F012	CM18C12F012	12	3.66
CM16C09F020	CM17C11F020	CM18C12F020	20	6.10

MALE PLUGS				
PART NO.			FEET	METERS
6 POLE	7 POLE	8 POLE		
CM16A09F006	CM17A11F006	CM18A12F006	6	1.83
CM16A09F012	CM17A11F012	CM18A12F012	12	3.66
CM16A09F020	CM17A11F020	CM18A12F020	20	6.10

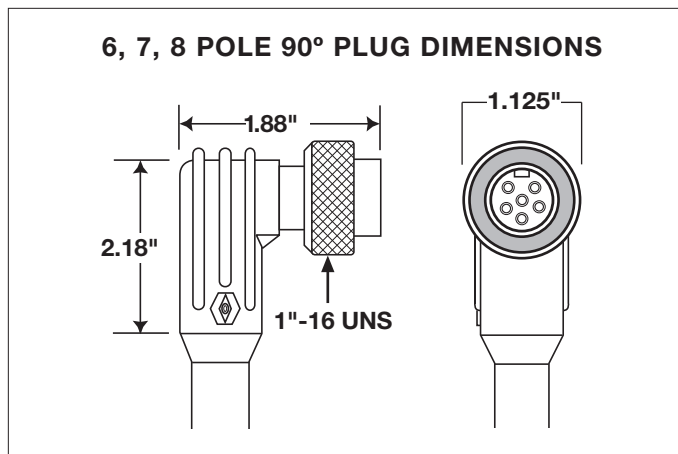
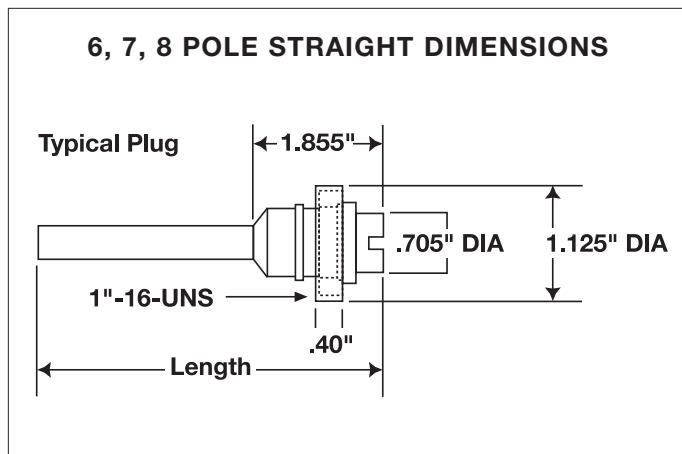
16 AWG Quick-Connect™ Cord Sets (6-8 Pole) (Continued)

ORDERING INFORMATION (MINIMUM PURCHASE MAY BE REQUIRED IF PRODUCT NOT STOCKED)

90° FEMALE PLUGS				
PART NO.			FEET	METERS
6 POLE	7 POLE	8 POLE		
CM16D09F006	CM17D11F006	CM18D12F006	6	1.83
CM16D09F012	CM17D11F012	CM18D12F012	12	3.66
CM16D09F020	CM17D11F020	CM18D12F020	20	6.10

MALE / FEMALE EXTENSION SET				
PART NO.			FEET	METERS
6 POLE	7 POLE	8 POLE		
CM26E09F003	CM27E11F003	CM28E12F003	3	0.91
CM26E09F006	CM27E11F006	CM28E12F006	6	1.83
CM26E09F012	CM27E11F012	CM28E12F012	12	3.66
CM26E09F020	CM27E11F020	CM28E12F020	20	6.10

DIMENSIONAL INFORMATION



FACE VIEW OF FEMALE CONNECTORS "B" SIZE (1"-16 COUPLING THREAD)

6 POLE	7 POLE	8 POLE
1. Orange 2. Blue 3. Black 4. White 5. Red 6. Green	1. Wht-Blk Tr. 2. Black 3. White 4. Red 5. Orange 6. Blue 7. Green	1. Orange 2. Blue 3. Wht-Blk Tr. 4. Black 5. White 6. Red 7. Green 8. Red-Blk Tr.

Mini Quick-Connects™
 Micro Quick-Connects™
 Nano Quick-Connects™
 Specialty Quick-Connects™
 Ethernet Cable Assemblies
 7 Pin Molded Valve Plug
 DIN Connectors
 Extension Cords
 M23 Connector Assemblies
 Military Connectors
 Rectangular Connectors