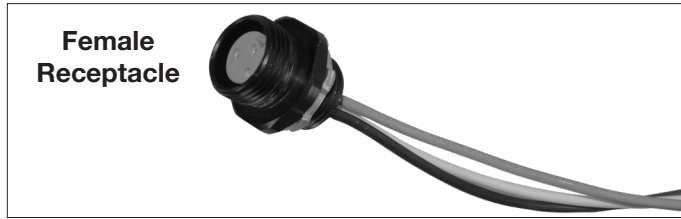


16 AWG Quick-Connect™ Receptacles (9, 10 & 12 Pole)

- UL Recognized
- cUL
- IP69K Rated
- RoHS Compliant
- 600 V

16 AWG Quick-Connect™ 9, 10 & 12 pole receptacles are available in female with 4 foot pigtails and male with 1 foot pigtails. O-ring and locknut included; closure caps with chain are sold separately.



FEATURES & BENEFITS

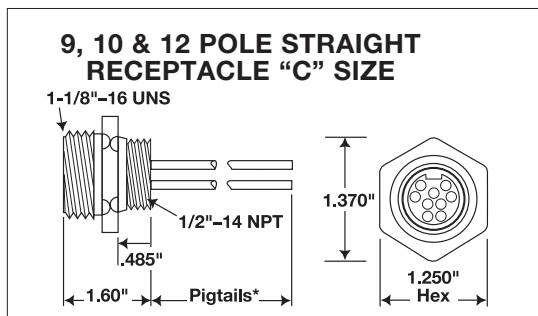
- RECEPTACLE INSERTS ARE SPECIALLY COMPOUNDED, THERMOPLASTIC ELASTOMER** — Provides long flex life, resists heat and oil deterioration.
- MOLDED AND KEYED ASSEMBLY** — Provides rapid and secure connect and disconnect. Ensures a water, oil, and dust tight seal.
- HARD COATED MIL SPEC. ANODIZED ALUMINUM RECEPTACLE SHELL** — Resists corrosion, provides quick and secure assembly.
- SOLID BRASS CONTACT PINS ARE NICKEL COATED AND GOLD PLATED, MACHINE CRIMPED TO CONDUCTORS** — Provides long life, resists corrosion, easy positive engagement. Excellent for high/low voltage and low level signal applications.
- UNIQUE STAINLESS SLEEVE OVER THE GOLD PLATED FEMALE PINS** — Prevents pin deformation resulting in loss of signal and electrical continuity. Superior performance in high vibration and continuous motion environments. Probe proof.
- EXTRA LONG GROUNDING PIN** — Ensures first-in, last-out contact for safety.
- FLUOROELASTOMER SEALING O-RING AND LOCKNUT** — Seals out oil, chemicals and other contaminants. Locknut included with each unit.
- 16 AWG STRANDED, TINNED COPPER PIGTAILS INSULATED WITH 125°C CROSS-LINKED POLYETHYLENE** — Provides excellent oil and heat resistance.

ORDERING INFORMATION (MINIMUM PURCHASE MAY BE REQUIRED IF PRODUCT NOT STOCKED)

FEMALE RECEPTACLES (48" PIGTAILS)				
PART NO.			FEET	METERS
9 POLE	10 POLE	12 POLE		
RN19CPTF004	RN110CPTF004	RN112CPTF004	4	1.22

MALE RECEPTACLES (12" PIGTAILS)				
PART NO.			FEET	METERS
9 POLE	10 POLE	12 POLE		
RN19APTf001	RN110APTf001	RN112APTf001	1	0.3

DIMENSIONAL INFORMATION



FACE VIEW OF FEMALE RECEPTACLE

