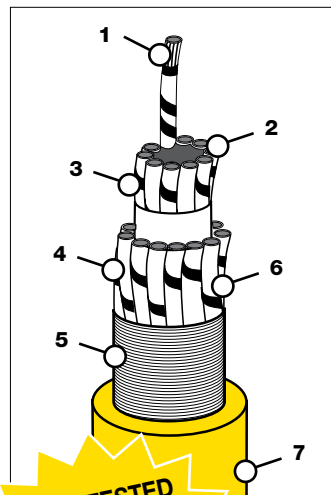


Super-Trex® Reduced Diameter Control Cable (18 AWG)

- UL Listed
- Type TC-ER – 600 V
- Type WTTC – 1,000 V
- Suitable for Class I, II, Div. 2*
- CE
- FT-4 Flame Rating
- RoHS Compliant
- Max Conductor Temperature 90°C

TPC's Super-Trex® Reduced Diameter Control Cable features a high strand count and cable construction designed to provide long life in dynamic flexing applications. The security yellow TPE jacket provides excellent protection against oil, and most industrial chemicals. Available in 18 AWG and various conductor counts from 5 to 65 conductors. 20 AWG, 16 AWG and 12 AWG also available.



FLEX TESTED
Tested to over
11,000,000
cycles in cable carrier
without failure!

FEATURES & BENEFITS

- 1. BUNCH STRANDED TINNED SOFT DRAW COPPER** — Longer flex life in flexing and twisting applications. Easier to solder.
- 2. POLYESTER TPE CONDUCTOR INSULATION** — Oil resistant and has high dielectric, tensile and mechanical properties.
- 3. CONDUCTORS ARE CODED WITH ALPHA-NUMERIC IDENTIFICATION** — Provides fast identification of conductors. Easy to read and simplifies installation.
- 4. NYLON FILLERS** — Low friction, non-wicking fillers provide excellent flexibility.
- 5. HIGH FLEX TAPE SEPARATOR AROUND INNER COMPONENTS** — Provides easy movement of the conductor bundle for longer flex life.
- 6. UNI-LAY CONSTRUCTION ALTERNATING BUNDLES** — Superior performance in flexing and torsional applications.
- 7. SPECIALLY COMPOUNDED, SECURITY YELLOW, SUPER-TREX® TPE JACKET** — Superior first-line defense against oil, ozone and UV exposure as well as most chemicals. Flame and heat resistant. Extreme all-weather flexibility.

Chemical Resistance of Super-Trex® TPE Jacket
Resistance to solvents and chemicals is tested by immersing cable specimens in a solution for 30 days at room temperature. Measurements of cable diameter are made before and after immersion. Resistance is rated as follows, depending upon the % of change in cable diameter:

- (E) Excellent – less than 10% (F) Fair – 30% to 50%
(G) Good – 10% to 30% (P) Poor – More than 50%

ADD KORD-GARDS® OR GRIP-SEALS® TO COMPLETE YOUR ORDER! See Pages 135-143.



Color Code			
NO. OF COND.	BASE COLOR	FIRST TRACER	NUM. ID.
1	Green	Yellow	–
2	Black	–	1
3	White	Black	–
4	Black	–	3

The first conductor in the outside layer is always Green with a Yellow Tracer. The third conductor in the outer layer is always White with a Black Tracer. All other conductors are Black with a white number. Color code repeats with black with unique numeric identification.

REAGENT	TPE	PVC	NEOPRENE
Mobile Oil DTE 24	E	–	–
Mobile Oil DTE 26	E	–	–
Castor Oil	E	–	–
Simesol	E	–	–
Trimsol	E	–	–
ASTM Oil 1, 2 or 3	E	G	G
Transformer Oil	G	G	E
Diesel Fuel	G	P	G
Gasoline	G	P	G
Kerosene	E	E	G

APPLICATIONS

- Automatic Welders
- Broach Machines
- Control Circuits
- Cranes
- Festoon Systems
- Machine Tools
- Cable Carrier Systems
- Sensing Equipment
- Transfer Vehicles
- Positioning Equipment
- Remote Control of Electrical Equipment

Not for Reeling or Forced Directional (Pulling) Applications.

ORDERING INFORMATION (MINIMUM PURCHASE MAY BE REQUIRED IF PRODUCT NOT STOCKED)

PART NO.	CORD SIZE AWG/COND	CONDUCTOR STRANDING	AMPACITY ¹	NOMINAL O.D. (IN)	WT. (LBS) PER 1000'	MIN. BEND RADIUS (IN)
88905	18/5	41 x 34	11	0.321	68	2.57
88912	18/12	41 x 34	7	0.444	137	3.55
88919	18/19	41 x 34	7	0.538	208	4.30
88925	18/25	41 x 34	6	0.613	273	4.90
88933	18/33	41 x 34	5	0.645	318	5.16
88949	18/49	41 x 34	5	0.787	473	6.29
88965	18/65	41 x 34	5	0.892	614	7.14

NOTES: (1) Based on an ambient temperature of 30°C and conductor temperature of 90°C per NEC, Table 3.10.15(B)(16).
*When installed in accordance with NEC guidelines sections, 501.140, 502.140, 503.140.

Portable Cords
Power Cables (600 Volt to 35 kV)
Welding Cables
VFD/Servo Motor Cables
Reeling Cables
Control Cables/Instrumentation
Bus Cables
Flat Festoon Cables
Retractable Coil Cables
Chemical & Temp. Resistant Cables
High Temperature Cables
Igniter Cables
Thermocouple Extension Wires
Engineered Custom Cables