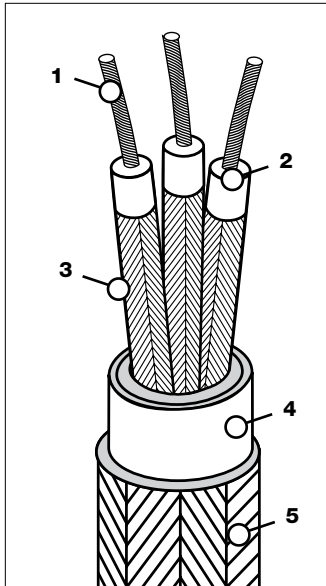


Thermo-Trex® 2800 Cable

- Max Conductor Temp 537°C (1000°F)
- 600 V
- Cold Temperature Rating -65°C
- RoHS Compliant

Thermo-Trex® is the source for a high temperature resistant cable available in many configurations that offers gauge sizes for power or control applications. Flexibility is achieved by using finely stranded, nickel-plated copper conductors and a specially woven glass-braid jacket impregnated with abrasion resistant finishing compounds. High heat resistance allows the Thermo-Trex® 2800 to withstand continuous temperatures up to 1,000°F and flash heat up to 3,000°F.



FEATURES & BENEFITS

- 1. 27% NICKEL-PLATED COPPER, #30 AWG STRANDING** – Increases flexibility, provides longer cable life.
- 2. FLUOROPOLYMER COLOR SATURATED INSULATION** – Easier to identify. Reduced chance of miswiring. Maintain their color for ease of identification up to 450°C.
- 3. SPECIAL FLUOROPOLYMER/MICA/GLASS MULTIPLE-LAYERED CONSTRUCTION** – Highly resistant to heat, chemicals and corrosives. Long-term durability in the harshest industrial environments.
- 4. HEAT-SEALED FLUOROPOLYMER VAPOR BARRIER**
- 5. SPECIALLY WOVEN GLASS-BRAID JACKET, IMPREGNATED WITH HIGH-HEAT FINISHING COMPOUNDS** – Provides first-line defense against abrasion and high heat.
- 6. AVAILABLE IN SINGLE AND MULTIPLE CONDUCTOR CONFIGURATIONS** – The right product for the job.

Independently lab tested to ANSI/IEEE 383-1974 Standard. Passed 2-hour 3000°F vertical flame test.

CONDUCTOR COLOR CODE	
1	Red
2	White
3	Blue
4	Green

APPLICATIONS

- Conveyors
- Pumps
- Furnaces
- Motor Operated Valves
- Emergency Isolation Valves
- Kiln Fans
- Flare Stacks
- Control Panels
- Crane Hoist

Choosing the right product for high-heat environments reduces unnecessary replacements and avoids downtime. Use the chart on page 10 to make the best choice for your high temperature environment. If you have any questions, please contact your sales representative or call us at 800-521-7935.

ORDERING INFORMATION (MINIMUM PURCHASE MAY BE REQUIRED IF PRODUCT NOT STOCKED)

PART NO.	CONDUCTOR SIZE (AWG)	CONDUCTOR STRANDING	AMPACITY ¹	NOMINAL O.D. (IN)	WT. (LBS) PER 1000'
41213	16/3	26/30	31	0.332	93
41215	12/4	65/30	55	0.448	166
41204	14	41/30	51	0.190	30
41205	12	65/30	68	0.208	42
41206	10	105/30	94	0.254	63

NOTE: Ampacity based on 40°C ambient, 450°C conductor temperature with one ground per the IEEE Standard Power Cable Ampacity Tables.

Portable Cords
 Power Cables (600 Volt to 35 kV)
 Welding Cables
 VFD/Servo Motor Cables
 Reeling Cables
 Control Cables/Instrumentation
 Bus Cables
 Flat Festoon Cables
 Retractable Coil Cables
 Chemical & Temp. Resistant Cables
 High Temperature Cables
 Igniter Cables
 Thermocouple Extension Wires
 Engineered Custom Cables