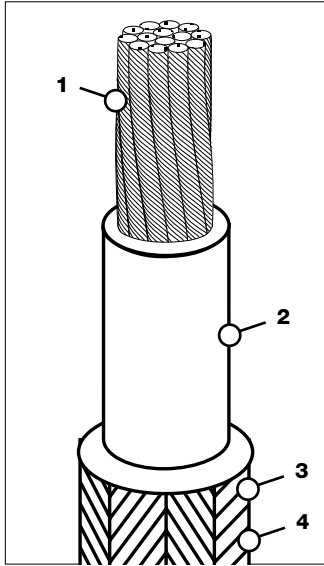


Thermo-Trex® 500 Cable

- UL Recognized
- CSA
- 600 V
- RoHS Compliant
- Max Conductor Temp 200°C (392°F)

Thermo-Trex® 500 is the source for a high temperature resistant cable available in many configurations that offers gauge sizes for power or control applications. Flexibility is achieved by using finely stranded, tinned copper conductors and a specially woven glass-braid jacket impregnated with abrasion resistant finishing compounds. High heat resistance allows the Thermo-Trex® 500 to withstand continuous temperatures up to 392°F and flash heat up to 775°F.



FEATURES & BENEFITS

- 1. FLEXIBLE, TINNED COPPER STRANDING** – Increased flexibility for easier installation.
- 2. SILICONE RUBBER INSULATION** – Provides resistance to heat, moisture and chemicals.
- 3. WOVEN GLASS-BRAID JACKET** – Provides defense, provides increased heat, abrasion and moisture resistance.
- 4. AVAILABLE IN A VARIETY OF COLORS** – Easier identification, less chance for miswiring.
- 5. STAINLESS STEEL OVERBRAID** – Optional

APPLICATIONS

- Conveyors
- Pumps
- Furnaces
- Motor Operated Valves
- Emergency Isolation Valves
- Kiln Fans
- Flare Stacks
- Control Panels
- Crane Hoist

ORDERING INFORMATION (MINIMUM PURCHASE MAY BE REQUIRED IF PRODUCT NOT STOCKED)

	PART NO.			CONDUCTOR SIZE (AWG)	CONDUCTOR STRANDING	AMPACITY ¹	NOMINAL O.D. (IN)	WT. (LBS) PER 1000'
	BLACK	WHITE	RED					
	41001	-	-	18	7/26	27	0.121	12.5
	-	41005	41006	16	7/24	37	0.130	17
	41007	41008	41009	14	7/22	51	0.145	23
	-	41011	-	12	19/25	66	0.160	31.5
	-	41014	41015	10	19/23	90	0.220	53
	-	-	41018	8	54/25	125	0.300	92
	41019	41020	-	6	84/25	167	0.340	133
	41022	-	-	4	133/25	226	0.411	190
	-	41026	41027	2	133/23	305	0.500	280
	41028	-	-	1	259/25	362	0.585	362

NOTE: (1) Ampacity is based on a single conductor in free air, 40°C (104°F) ambient, 200°C (392°F) conductor temperature. Ampacity ratings for Thermo-Trex high-temperature wire are significantly higher than normally insulated wire because the insulating materials used in Thermo-Trex can withstand much higher conductor temperatures without breaking down.

Choosing the right product for high-heat environments reduces unnecessary replacements and avoids downtime. Use the chart on page 10 to make the best choice for your high temperature environment. If you have any questions, please contact your sales representative or call us at 800-521-7935.

Portable Cords
 Power Cables (600 Volt to 35 kV)
 Welding Cables
 VFD/Servo Motor Cables
 Reeling Cables
 Control Cables/Instrumentation
 Bus Cables
 Flat Festoon Cables
 Retractable Coil Cables
 Chemical & Temp. Resistant Cables
 High Temperature Cables
 Igniter Cables
 Thermocouple Extension Wires
 Engineered Custom Cables