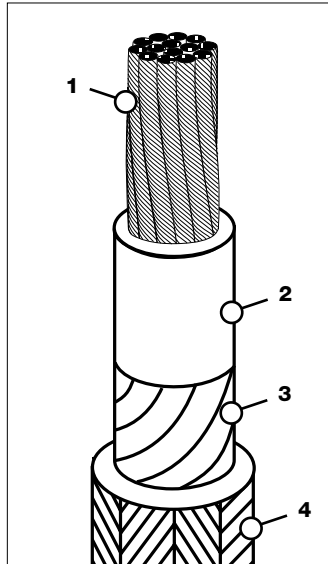


Thermo-Trex® 500-K Single Conductor Cable

- UL Recognized
- 600 V
- RoHS Compliant
- Max Conductor Temp 200°C (392°F)

Thermo-Trex® is the source for a high temperature resistant cable available in many configurations that offers gauge sizes for power or control applications. Flexibility is achieved by using finely stranded, tinned copper conductors and a specially woven aramid-braid jacket impregnated with heat and moisture resistant finishing compounds. High heat resistance allows the Thermo-Trex® 500-K to withstand continuous temperatures up to 392°F and flash heat up to 775°F. The aramid fiber braid jacket adds tensile strength and added protection against abrasion.



FEATURES & BENEFITS

- 1. CONDUCTORS** — Flexible tinned copper strands for improved flexibility.
- 2. INSULATION** — Silicone rubber provides resistance to heat, moisture and chemicals.
- 3. TFE WRAP** — Improves performance in flexing applications and provides an additional thermal barrier to extend product life in extreme temperature environments.
- 4. JACKET** — Heat and moisture resistant Aramid fiber braid jacket provides added protection against abrasion.
- 5. STAINLESS STEEL OVERBRAID** — Optional

APPLICATIONS

- Conveyors
- Pumps
- Furnaces
- Motor Operated Valves
- Emergency Isolation Valves
- Kiln Fans
- Flare Stacks
- Control Panels
- Crane Hoist

ORDERING INFORMATION (MINIMUM PURCHASE MAY BE REQUIRED IF PRODUCT NOT STOCKED)

PART NO.	CONDUCTOR SIZE (AWG)	CONDUCTOR STRANDING	SILICONE THICKNESS (IN)	ARAMID BRAID THICKNESS (IN)	AMPACITY ¹	NOMINAL O.D. (IN)	WT. (LBS) PER 1000'
44002	16	7/24	0.045	0.025	37	0.200	24
44003	14	7/22	0.045	0.025	51	0.220	30
44004	12	19/25	0.045	0.025	66	0.240	40
44005	10	19/23	0.045	0.025	90	0.270	50
44006	8	54/25	0.060	0.040	125	0.375	90
44007	6	84/25	0.060	0.040	167	0.415	125
44008	4	133/25	0.060	0.040	226	0.475	185
44009	2	133/23	0.060	0.040	305	0.540	270
44010	1	259/25	0.080	0.040	362	0.625	360
44011	1/0	259/24	0.080	0.040	422	0.670	435
44012	2/0	259/23	0.080	0.040	492	0.725	530
44013	3/0	259/22	0.080	0.040	574	0.785	650
44014	4/0	259/21	0.080	0.040	671	0.850	810
44015	250	427/22	0.100	0.040	756	0.945	960
44016	350	427/21	0.100	0.040	947	1.06	1310
44017	500	427/19	0.100	0.040	1202	1.215	1830

NOTE: (1) Based on single conductor in free air, 200°C conductor temperature, 40°C ambient temperature per IEEE STD 835.

Choosing the right product for high-heat environments reduces unnecessary replacements and avoids downtime. Use the chart on page 10 to make the best choice for your high temperature environment. If you have any questions, please contact your sales representative or call us at 800-521-7935.