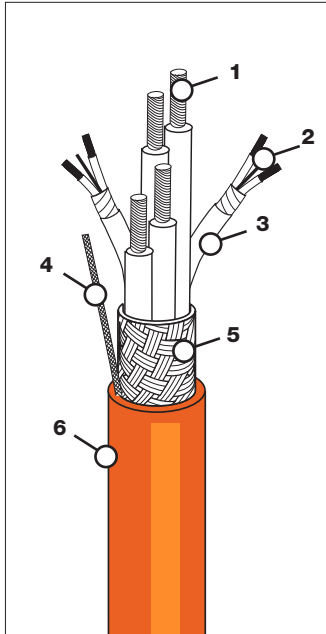


# Trex-Onics® Servo Motor Cable

- UL Recognized in the U.S. & Canada
- 600 V
- FT-1 Flame Rating
- AWM
- Max Conductor Temp 80°C
- Cold Temp Rating -40°C

TPC's Trex-Onics® Servo Motor Cables are designed for superior performance. A heavy-duty tinned copper braid protects equipment and motor from damage caused by electrical noise and provides a shield against EM and RF noise and interference and a low impedance path to ground. The finely stranded tinned copper conductors extend conductor life in dynamic applications and are color coded for easy identification. The oil resistant, specially compounded Trex-Onics® TPE insulation system and jacket offers high dielectric, tensile and mechanical properties.



## FEATURES & BENEFITS

### 1. FINELY STRANDED TINNED COPPER CONDUCTORS

— Improves flexibility and extends conductor life in dynamic applications. Conductors are color coded for easy identification.

**2. BRAKE/SIGNAL PAIR** — Aluminum/Mylar foil provides 100% shielding to pairs.

**3. OIL RESISTANT SPECIALLY COMPOUNDED INSULATION** — High dielectric, tensile, mechanical properties and offers a low capacitance.

**4. FLAT BRAID DRAIN WIRE** — Easy termination to ground.

### 5. HEAVY-DUTY 85% COVERAGE OF TINNED COPPER BRAID

— Provides a shield against EM and RF noise and interference, and a low impedance path to ground. Protects equipment and motor damage from electrical noise. Designed for superior performance in moving applications.

**6. SPECIALLY COMPOUNDED TREX-ONICS TPE JACKET** — Superior first line defense against oil, ozone, UV exposure, many chemicals, flame resistant and all-weather flexibility. Color-RAL 2003 (Orange).

## APPLICATIONS

- Used with Rockwell / Allen-Bradley, Bosch Rexroth, Indramat, Kollmorgen, Siemens, Lenze and Mitsubishi Drive Systems

### COLOR CODE

COND.	COLOR	COND.	COLOR
1	Black	4	Green-Yellow
2	White	Pair-1	Orange/Blue
3	Red	Pair-2	White-Black/Red-Black

## ORDERING INFORMATION (MINIMUM PURCHASE MAY BE REQUIRED IF PRODUCT NOT STOCKED)

PART NO.	POWER AWG/COND	STRANDING	SUGGESTED AMPACITY <sup>(1)</sup>	BRAKE/SIGNAL PAIRS AWG NO. PR	STRANDING	NOM. OD	LBS. WT per 1000'
6002181	18/4	19 x 30	11	20/1	19 x 32	0.365	92
6002182	18/4	19 x 30	11	20/2	19 x 32	0.415	112
6002161	16/4	26 x 30	13	20/1	19 x 32	0.390	105
6002162	16/4	26 x 30	13	20/2	19 x 32	0.440	127