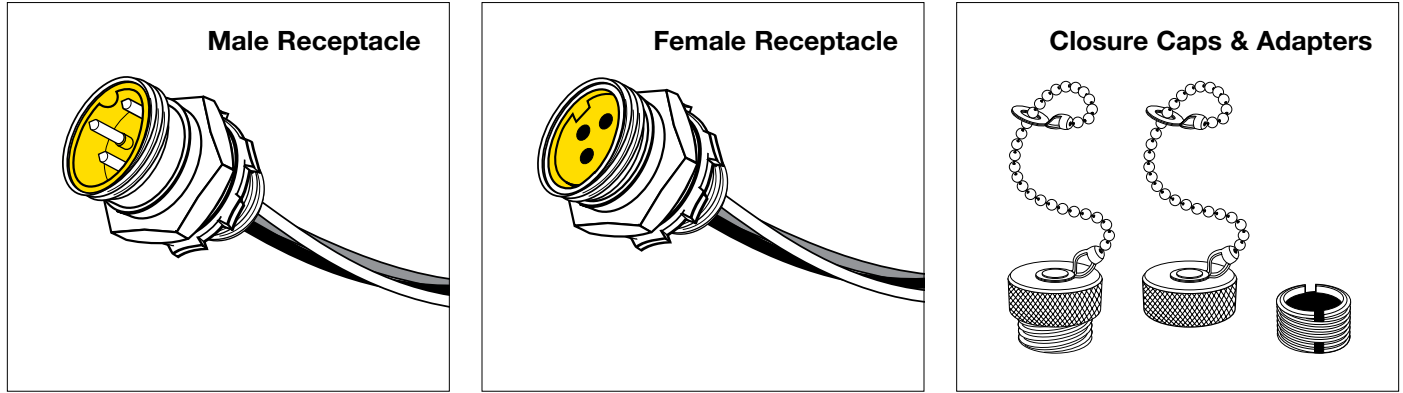


14 AWG Quick-Connect™ Receptacles (3 & 4 Pole)

- IP68 Rated
- IP69K Rated
- RoHS Compliant
- 600 V
- Ampacity: 3 Pole – 18 Amps; 4 Pole – 15 Amps

14 AWG Quick-Connect™ 3 and 4 pole receptacles are available in female with 4 foot pigtails and male with 1 foot pigtails. O-ring and locknut included; closure caps with chain are sold separately.



FEATURES & BENEFITS

- 1. MULTIPLE CONFIGURATIONS** – Available in male three or four pole straight.
- 2. SPECIALLY COMPOUNDED THERMOSET INSERT KEYED AND HERMETICALLY SEALED IN BODY** – Soft, non-plastic face ensures cork seal. Provides an oil, water and dust tight seal.
- 3. ANODIZED ALUMINUM BODY WITH SEALING LOCKNUT** – Durable, compact fittings. Resists corrosion. Easy to install.
- 4. HEAVY GAUGE SILVER PLATED BRASS PINS AND SLEEVES** – Ensures superior electrical contact. Maintains contact through repeated disconnects.
- 5. 14 AWG STRANDED, TINNED COPPER PIGTAILS INSULATED WITH 125°C CROSS-LINKED POLYETHYLENE** – Provides excellent oil and heat resistance.
- 6. EXTENDED GROUND PIN** – Ensures “first in – last out” contact.

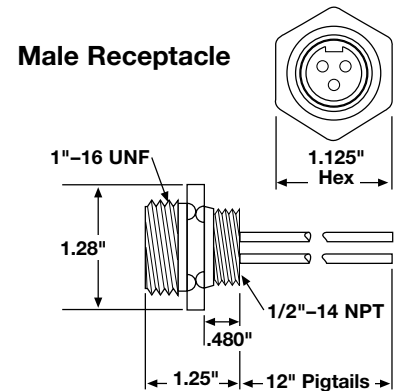
ORDERING INFORMATION (MINIMUM PURCHASE MAY BE REQUIRED IF PRODUCT NOT STOCKED)

FEMALE RECEPTACLES (48" PIGTAILS)	
3 POLE ALUMINUM	4 POLE ALUMINUM
83301	83401

MALE RECEPTACLES (12" PIGTAILS)			
3 POLE ALUMINUM	3 POLE NYLON	4 POLE ALUMINUM	4 POLE NYLON
83300	83300N2	83400	83400N2

CLOSURE CAPS & ADAPTERS	
PART NO.	DESCRIPTION
84201A	Aluminum Closure Cap for Receptacle 14 AWG
84202A	Aluminum Closure Cap for Plugs 14 AWG
84038A	Aluminum Adapter 14 AWG
84203N	Black Delrin Closure Cap for Receptacle 14 AWG
84204N	Black Delrin Closure Cap for Plugs 14 AWG
84038N	Delrin Adapter

DIMENSIONAL INFORMATION



Face View of Female Receptacle

