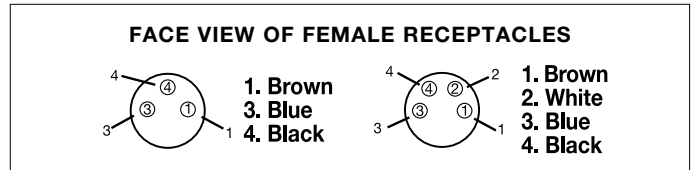
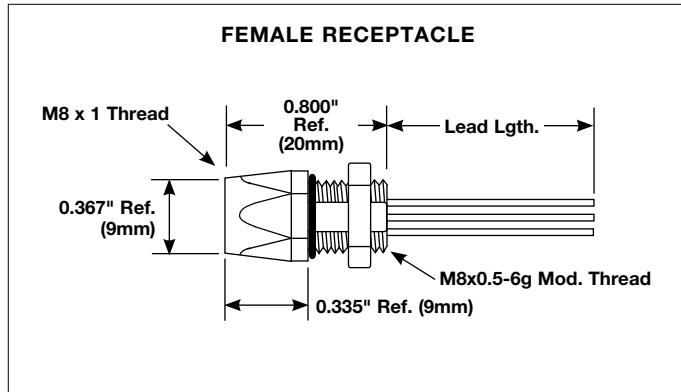


24 AWG Nano M8 Receptacles

- IP68 Rated
- 300 V
- Current Rating: 4 Amps

24 AWG Quick-Connect™ Nano M8 receptacles are available in female, panel mounted, and male, panel mounted. O-ring and locknut included; closure caps with chain are sold separately.

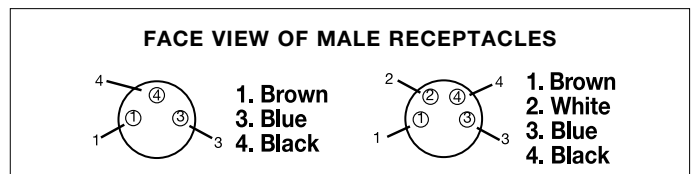
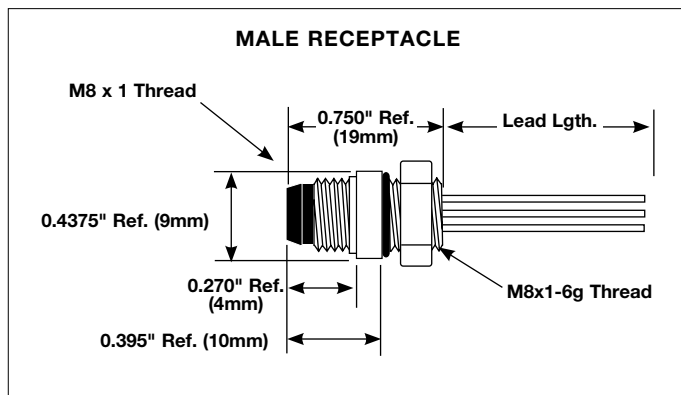


KEY CHARACTERISTICS

- Designed to work with Snap & Threaded Coupling Configurations
- Gold Plated Copper Alloy Pins
- Nickel Plated Brass Coupling Nut
- 1.2 Meter (4 Ft.) Standard Lengths

ORDERING INFORMATION (MINIMUM PURCHASE MAY BE REQUIRED IF PRODUCT NOT STOCKED)

FEMALE RECEPTACLE			
PART NO.	DESCRIPTION	CORD LENGTH (FT)	CORD LENGTH (M)
RC13C33F004	3 Pole Female Panel Mount Receptacle Snap/Thread	4.0	1.2
RC14C34F004	4 Pole Female Panel Mount Receptacle Snap/Thread	4.0	1.2



KEY CHARACTERISTICS

- Designed to work with Snap & Threaded Coupling Configurations
- Gold Plated Copper Alloy Pins
- Nickel Plated Brass Coupling Nut
- 0.3 Meter (1 Ft.) Standard Lengths

ORDERING INFORMATION (MINIMUM PURCHASE MAY BE REQUIRED IF PRODUCT NOT STOCKED)

MALE RECEPTACLE			
PART NO.	DESCRIPTION	CORD LENGTH (FT)	CORD LENGTH (M)
RC13A33F001	3 Pole Male Panel Mount Receptacle Snap/Thread	4.0	1.2
RC14A34F001	4 Pole Male Panel Mount Receptacle Snap/Thread	4.0	1.2

Mini Quick-Connects™
 Micro Quick-Connects™
 Nano Quick-Connects™
 Specialty Quick-Connects™
 Ethernet Cable Assemblies
 7 Pin Molded Valve Plug
 DIN Connectors
 Extension Cords
 M23 Connector Assemblies
 Military Connectors
 Rectangular Connectors