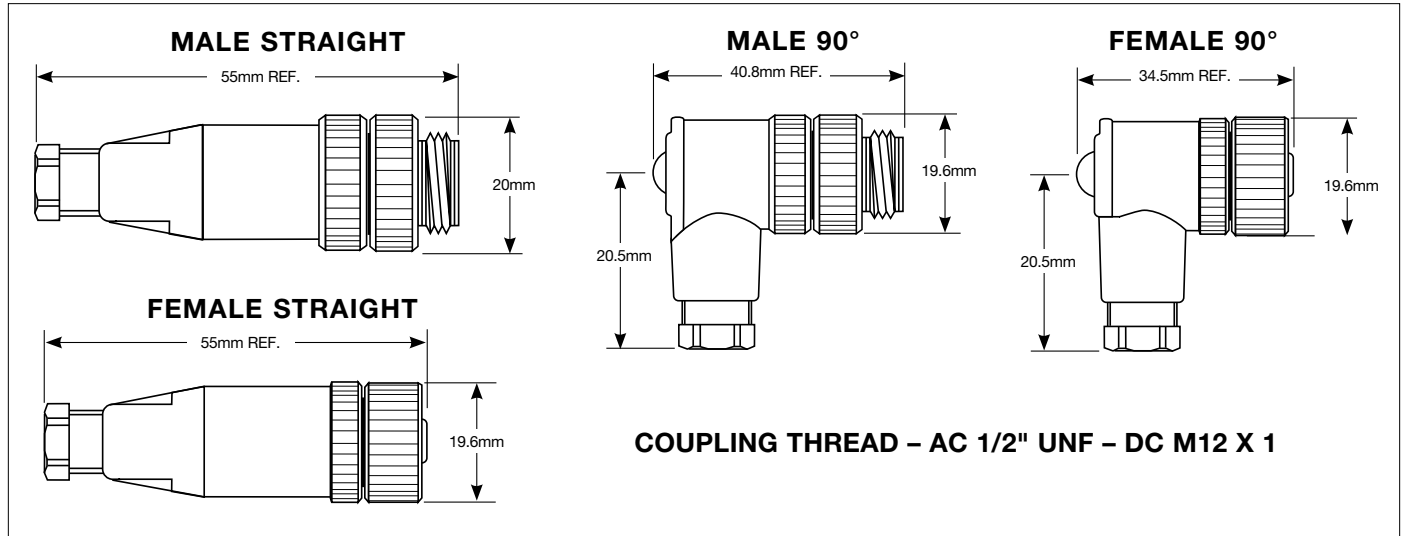


Field Installable AC & DC Micro Connectors

- IP67 Rated
- RoHS Compliant
- DC Single Key (4–5 Pole)
- AC Dual Key (3 Pole)
- Current Rating: 3 Amps DC & 4 Amps AC

Field Installable AC and DC Micro Connectors are IP67 rated to provide a liquid tight seal to protect the connection from dust and water contamination. These connectors are designed to fit a wide range of sizes and are easily installed using only a screw driver to secure the connection. The nylon body is impact and crush resistant. Ideal for a quick on-site repair.



FEATURES & BENEFITS

- 1. SELECTION** – AC and DC, straight and 90° connectors, both male and female.
- 2. SEALING GROMMET** – Provides a liquid tight seal to protect the connection from contamination.
- 3. CABLE SELECTION** – Designed to fit a wide range of cord sizes from 0.158" – 0.315".
- 4. SCREW LOCK SYSTEM** – Provides secure connection using only a screw driver.
- 5. FIELD INSTALLABLE DESIGN** – Easy to install for quick on-site repairs.
- 6. NYLON BODY AND INSERT** – Impact and crush resistant.

ORDERING INFORMATION (MINIMUM PURCHASE MAY BE REQUIRED IF PRODUCT NOT STOCKED)

AC – FIELD INSTALLABLE MICROS		
PART NO.	DESCRIPTION	CORD O.D. RANGE (IN)
30801	3 Pole Male Straight AC	0.118 – 0.236
30301	3 Pole Female Straight AC	0.118 – 0.236
39801	3 Pole Male 90° AC	0.118 – 0.236
39301	3 Pole Female 90° AC	0.118 – 0.236

DC – FIELD INSTALLABLE MICROS		
PART NO.	DESCRIPTION	CORD O.D. RANGE (IN)
30700	4 Pole Male Straight DC	0.157 – 0.315
30600	5 Pole Male Straight DC	0.157 – 0.315
30800	8 Pole Male Straight DC	0.197 – 0.394
30400	4 Pole Female Straight DC	0.157 – 0.315
30500	5 Pole Female Straight DC	0.157 – 0.315
30900	8 Pole Female Straight DC	0.197 – 0.394
39700	4 Pole Male 90° DC	0.157 – 0.315
39600	5 Pole Male 90° DC	0.157 – 0.315
39400	4 Pole Female 90° DC	0.157 – 0.315
39500	5 Pole Female 90° DC	0.157 – 0.315