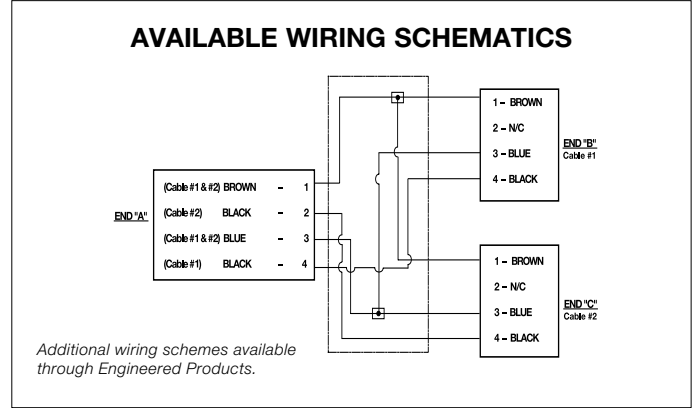
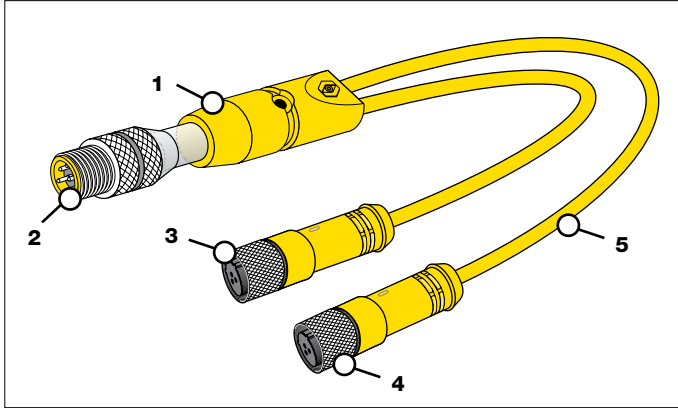


Super-Trex® “Y” Splitter

- UL Recognized
- cUL
- IP68 Rated
- RoHS Compliant
- 300 V

The Super-Trex® “Y” Splitter design is constructed using TPC’s Micro Quick-Connect™ technology coupled with a one-piece focal point. The focal point unit is constructed of an oil, abrasion, impact, and chemical resistant compound designed to protect the unit from hostile industrial environments. Each conductor lead is molded into the focal point. Each splitter is tested to ensure out-of-box performance. AC and DC variations are available.



FEATURES & BENEFITS

- 1. UNIQUE RATCHETING NUT DESIGN** — Resists loosening caused by vibration and constant movement applications. Insures a secure connection in the toughest environments.
- 2. SOLID BRASS CONTACT PINS** — Nickel coated and gold plated. Resists corrosion, ensures electrical integrity in DC low voltage applications.
- 3. FLUOROELASTOMER O-RING** — Seals out oil, chemicals and other contaminants. Provides a positive seal on mated components.
- 4. HARD COATED MIL SPEC ANODIZED ALUMINUM KNURLED COUPLING NUT** — Resists corrosion. Provides quick and secure assembly.
- 5. SUPER-TREX® SJOO HEAVY-DUTY CABLE** — Superior performance in abrasion, cutting, oil and chemicals.
- 6. COMPACT DESIGN COMBINED WITH MICRO TECHNOLOGY** — Helps to reduce wiring and termination points, simplifying installation and maintenance.
- 7. DESIGN FLEXIBILITY** — Designed for both Micro and Mini applications. Wiring and lead lengths can be made to fit the application. Contact our Engineered Products Department for additional information.
- 8. UNIQUE MOUNTING FEATURES** — Designed to mount securely with either a wire tie or thru bolt for ease of installation.

ROLE OF PRODUCT

This product is designed for industrial applications where there may be periodic exposure to oils, coolants, water, chemicals and grease. Applications for this product include use with proximity switches, optical sensors, cylinders and other dual input applications.

ORDERING INFORMATION (MINIMUM PURCHASE MAY BE REQUIRED IF PRODUCT NOT STOCKED)

DC				
PART NO.	IN-PUT CORD LENGTH (FT)	SINGLE-END CONFIGURATION	DOUBLE END SIDE #1	DOUBLE END SIDE #2
81401	0.5	4 Pole Male	3 Pole Female	3 Pole Female
81402	1.0	4 Pole Male	3 Pole Female	3 Pole Female
81404	2.0	4 Pole Male	3 Pole Female	3 Pole Female
81411	0.5	4 Pole Female	3 Pole Male	3 Pole Male
81412	1.0	4 Pole Female	3 Pole Male	3 Pole Male
81414	2.0	4 Pole Female	3 Pole Male	3 Pole Male