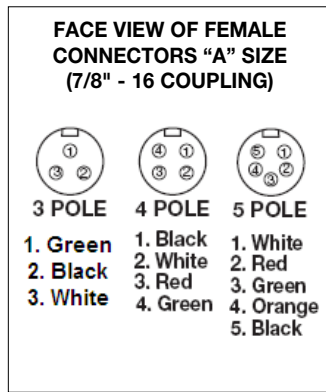
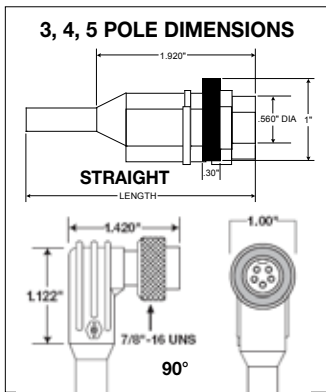
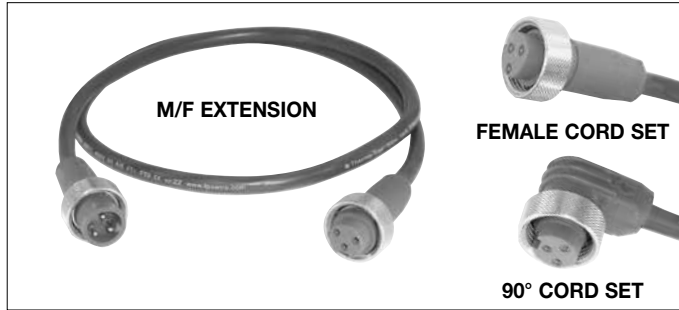


# Thermo-Trex® 500-Plus 16 AWG Cord Sets

- IP68 Rated
- RoHS Compliant
- 600 V
- Operating Temperature up to 180°C

Thermo-Trex® 500-Plus 16 AWG Cord Sets are designed with a tear resistant silicone jacket and fully bonded silicone head providing IP68 seal against moisture. It is an ideal choice for applications exposed to high temperatures up to 180°C, UV light and mechanical abuse.



## ORDERING INFORMATION

(MINIMUM PURCHASE MAY BE REQUIRED IF PRODUCT NOT STOCKED)

16 AWG FEMALE PLUGS	
PART NO.	DESCRIPTION
CH13C83F003S	Female Plug, 3 Pole, 3 ft.
CH13C83F006S	Female Plug, 3 Pole, 6 ft.
CH13C83F012S	Female Plug, 3 Pole, 12 ft.
CH13C83F020S	Female Plug, 3 Pole, 20 ft.
CH14C84F003S	Female Plug, 4 Pole, 3 ft.
CH14C84F006S	Female Plug, 4 Pole, 6 ft.
CH14C84F012S	Female Plug, 4 Pole, 12 ft.
CH14C84F020S	Female Plug, 4 Pole, 20 ft.
CH15C85F003S	Female Plug, 5 Pole, 3 ft.
CH15C85F006S	Female Plug, 5 Pole, 6 ft.
CH15C85F012S	Female Plug, 5 Pole, 12 ft.
CH15C85F020S	Female Plug, 5 Pole, 20 ft.

16 AWG MALE / FEMALE EXTENSION SETS	
PART NO.	DESCRIPTION
CH23E83F003S	M/F Ext. Set, 3 Pole, 3 ft.
CH23E83F006S	M/F Ext. Set, 3 Pole, 6 ft.
CH23E83F012S	M/F Ext. Set, 3 Pole, 12 ft.
CH23E83F020S	M/F Ext. Set, 3 Pole, 20 ft.
CH24E84F003S	M/F Ext. Set, 4 Pole, 3 ft.
CH24E84F006S	M/F Ext. Set, 4 Pole, 6 ft.
CH24E84F012S	M/F Ext. Set, 4 Pole, 12 ft.
CH24E84F020S	M/F Ext. Set, 4 Pole, 20 ft.
CH25E85F003S	M/F Ext. Set, 5 Pole, 3 ft.
CH25E85F006S	M/F Ext. Set, 5 Pole, 6 ft.
CH25E85F012S	M/F Ext. Set, 5 Pole, 12 ft.
CH25E85F020S	M/F Ext. Set, 5 Pole, 20 ft.

16 AWG MALE PLUGS	
PART NO.	DESCRIPTION
CH13A83F003S	Male Plug, 3 Pole, 3ft.
CH13A83F006S	Male Plug, 3 Pole, 6 ft.
CH14A84F006S	Male Plug, 4 Pole, 6 ft.
CH15A85F006S	Male Plug, 5 Pole, 6 ft.

## FEATURES & BENEFITS

- FULLY BONDED DESIGN** – The silicone cable is fully bonded to the silicone head using a unique process providing an IP68 seal against moisture.
- CORD SETS MADE WITH THERMO-TREX® 500-PLUS SILICONE CABLE** – Silicone cable and head set provides protection to temperatures up to 180°C.
- EXTRA LONG GROUNDING PIN** – Ensures first-in, last-out contact for safety.
- STAINLESS STEEL KNURLED COUPLING RINGS AND RETAINING WASHER** – Resists corrosion, provides quick and secure assembly.
- SOLID BRASS CONTACT PINS ARE NICKEL COATED AND GOLD PLATED** – Provides long life, resists corrosion, easy positive engagement. Excellent for low voltage/low level signal applications.

RECEPTACLES	
PART NO.	DESCRIPTION
84850	3 Pole Female, 4ft.
84750	4 Pole Female, 4ft.
84650	5 Pole Female, 4ft.
84350	3 Pole Male, 4ft.
84450	4 Pole Male, 4ft.
84550	5 Pole Male, 4ft.

Mini Quick-Connects™  
Micro Quick-Connects™  
Nano Quick-Connects™  
Specialty Quick-Connects™  
Ethernet Cable Assemblies  
7 Pin Molded Valve Plug  
DIN Connectors  
Extension Cords  
M23 Connector Assemblies  
Military Connectors  
Rectangular Connectors