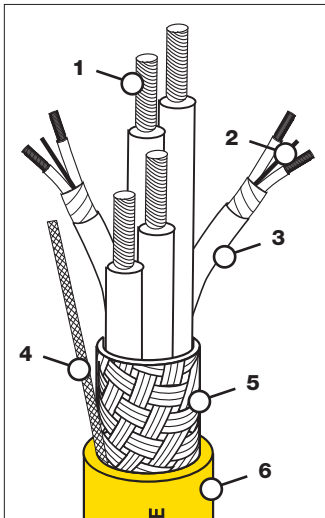


Trex-Onics® Low Capacitance VFD Shielded Power Cable with Brake & Signal Pairs

- UL Listed
- CE
- Oil Resistant
- CSA
- CSA – 1,000 V
- Type TC-ER – 600 V
- RoHS Compliant
- Max Conductor Temp 90°C
- Corona Resistant to 2,000 V
- Suitable for Class I, II, Div. 2
- FT-4 Flame Rating
- Sunlight Resistant
- Cold Temp Rating -40°C

Trex-Onics® Low Capacitance VFD Shielded Power Cable (with Brake and Signal Pairs) is designed for superior performance. A heavy-duty tinned copper braid protects equipment and motor from damage caused by electrical noise and 'stray voltage' and provides a shield against EM and RF noise and interference, and a low impedance path to ground. The finely stranded tinned copper conductors extend conductor life in dynamic applications and are alpha-numerically marked for ease of identification. The oil resistant insulation system offers high dielectric, tensile and mechanical properties.

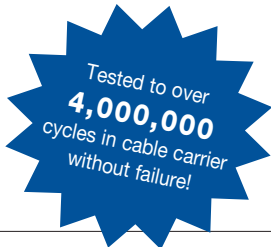


FEATURES & BENEFITS

- 1. FINELY STRANDED TINNED COPPER CONDUCTORS** – Improves flexibility and extends conductor life in dynamic applications. Conductors are alpha-numerically marked for ease of identification.
- 2. BRAKE AND SIGNAL PAIRS** – Aluminum/ Mylar foil shielded pairs provide 100% shielding.
- 3. XLPE INSULATION SYSTEM** – High dielectric, tensile and mechanical properties.
- 4. FLAT BRAID DRAIN WIRE**
- 5. HEAVY-DUTY 95% COVERAGE OF TINNED COPPER BRAID** – Provides a shield against EM and RF noise and interference, and a low impedance path to ground. Protects equipment and motor damage from electrical noise and “stray voltage”. Designed for superior performance in moving applications.
- 6. SPECIALLY COMPOUNDED SECURITY YELLOW TREX-ONICS® TPE JACKET** – Superior first line defense against oil, ozone, UV exposure, as well as most chemicals. Flame and heat resistant.
- 7. FILLERS** – Low friction, non-wicking fillers provide increased flexibility in dynamic applications.

COLOR CODE	
COND	COLOR
1, 2 & 3	Black
4	Green/Yellow

Pairs Identified Alpha Numerically
BLACK with **WHITE** print
PAIR #1 = 5+6 and **PAIR #2 = 7+8**



ORDERING INFORMATION (MINIMUM PURCHASE MAY BE REQUIRED IF PRODUCT NOT STOCKED)

SINGLE PAIR										
PART NO.	POWER CONDUCTOR				BRAKE & SIGNAL PAIRS			JACKET THICKNESS (IN)	NOMINAL O.D. (IN)	WT. (LBS) PER 1000'
	AWG/ COND	STRANDING	AMPACITY ¹	OVERALL DRAIN	AWG/NO. PAIRS	STRANDING	DRAIN WIRES			
60021LC	14/4	105 x 34	25	16	16/1	65 x 34	18	0.070	0.685	215
60023LC	12/4	165 x 34	30	14	16/1	65 x 34	18	0.070	0.750	310
60025LC	10/4	105 x 30	40	14	16/1	65 x 34	18	0.070	0.800	420
60026LC	8/4	168 x 30	55	14	16/1	65 x 34	18	0.090	1.00	617
60027LC	6/4	266 x 30	75	14	16/1	65 x 34	18	0.090	1.06	825

TWO PAIR										
PART NO.	POWER CONDUCTOR				BRAKE & SIGNAL PAIRS			JACKET THICKNESS (IN)	NOMINAL O.D. (IN)	WT. (LBS) PER 1000'
	AWG/ COND	STRANDING	AMPACITY ¹	OVERALL DRAIN	AWG/NO. PAIRS	STRANDING	DRAIN WIRES			
60028LC	14/4	105 x 34	25	16	16/2	65 x 34	18	0.070	0.776	280
60029LC	12/4	165 x 34	30	14	16/2	65 x 34	18	0.070	0.832	370
60030LC	10/4	105 x 30	40	14	16/2	65 x 34	18	0.070	0.919	505
60031LC	8/4	168 x 30	55	14	16/2	65 x 34	18	0.090	1.07	800
60032LC	6/4	266 x 30	75	14	16/2	65 x 34	18	0.090	1.12	1175

NOTE: (1) Ambient temperature of 30°C, conductor temperature of 90°C, not more than three current-carrying conductors. Based on NEC, Table 310.15(B)(16).

Portable Cords
 Power Cables (600 Volt to 35 kV)
 Welding Cables
 VFD/Servo Motor Cables
 Reeling Cables
 Control Cables/ Instrumentation
 Bus Cables
 Flat Tearton Cables
 Retractive Coil Cables
 Chemical & Temp. Resistant Cables
 High Temperature Cables
 Igniter Cables
 Thermocouple Extension Wires
 Engineered Custom Cables